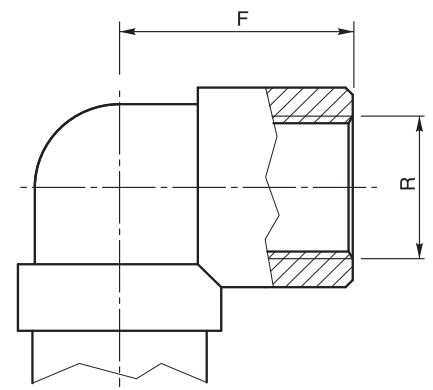
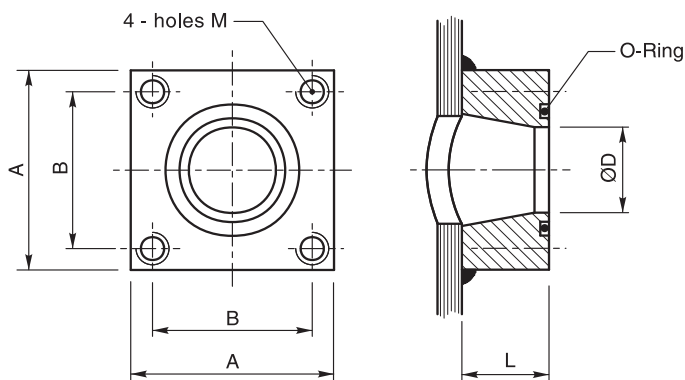


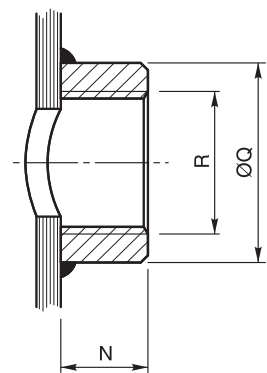
TYPE 1
standard arrangement for
telescopic jacks type 9110, 9111



TYPE 3
arrangement on request for
telescopic jack type 9110, 9111



TYPE 2
standard arrangement for jacks
type 1000, 1001, 1008, 1008bis
and telescopic jacks type 9100, 9101



TYPE 4
arrangement on request for jacks
type 1000, 1001, 1008, 1008bis
and telescopic jacks type 9100, 9101

SIZE	O-RING	TYPE 1					TYPE 2					TYPE 3		TYPE 4		
		A	B	ØD	E	M	A	B	ØD	L	M	F	R	N	ØQ	R
		[mm]					[mm]					[mm]		[mm]		
1"	OR 4112	N.A.					50	36	20	25	M8	N.A.		N.A.		
1" 1/4	OR 4150	70	55	30	105	M8	70	55	30	30	M8	105	G 1"1/4	30	60	G 1"1/4
1" 1/2																
2"	OR 152	80	65	40	105	M10	80	65	40	30	M10		G 2"		82	G 2"
2" 1/2	OR 164	N.A.					100	80	53	35	M10	N.A.		N.A.		

N.D. = not available

For type and dimensions not included on this sheet please contact GMV