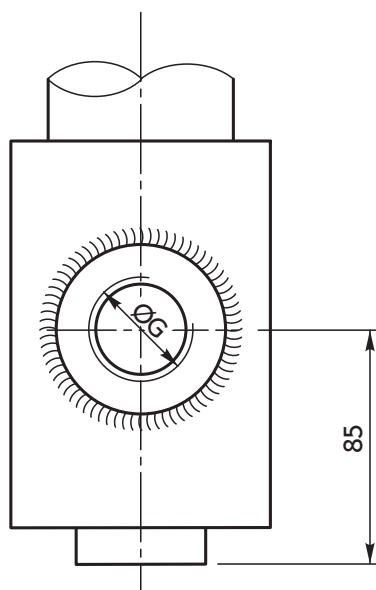
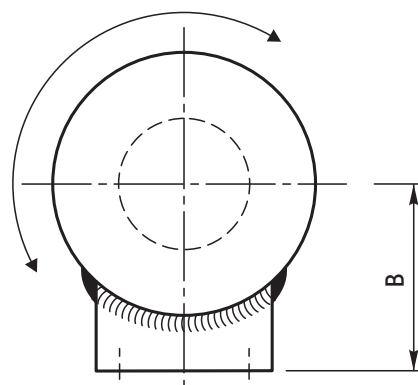
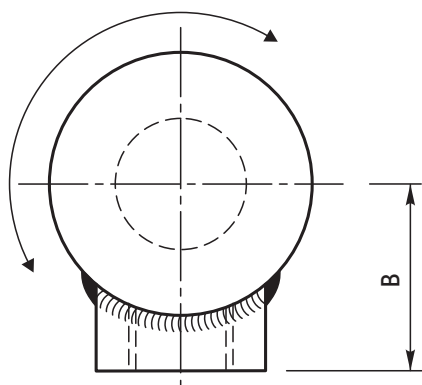
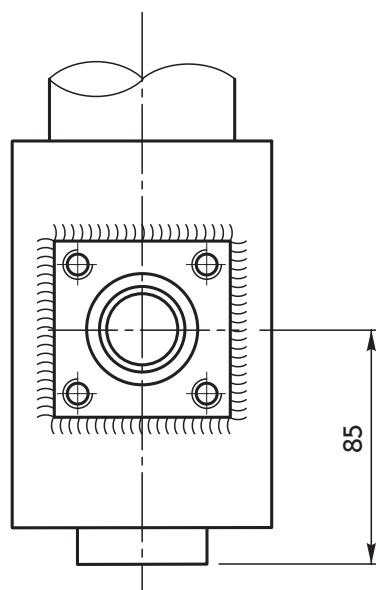


THREADED FITTING
(var. 1", 1"¼, 1"½, 2")



VC FLANGE FITTING
(var. 1", 1"¼, 1"½, 2")



| footpiece dimension | dimension of rupture valve / one-way restrictor dimension of thread ØG | | | |
|---------------------|---------------------------------------------------------------------------|--------|--------|-----|
| | 1" | 1" 1/4 | 1" 1/2 | 2" |
| | B [mm] | | | |
| 60 | 67 | 67 | 67 | 72 |
| 75 | 77 | 77 | 77 | 82 |
| 90 | 87 | 85 | 85 | 90 |
| 105 | 95 | 92 | 92 | 97 |
| 120 | 99 | 101 | 101 | 101 |