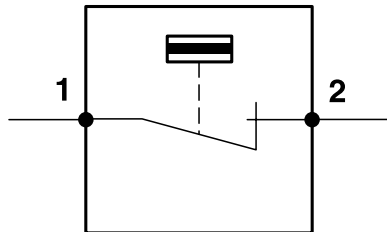
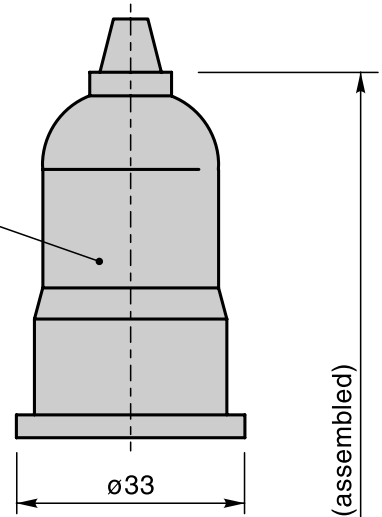


normally open  
(pressure = 0)



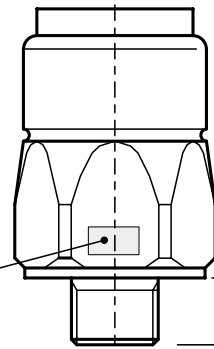
normally closed  
(pressure = 0)

rubber cap



ø33

60 (assembled)

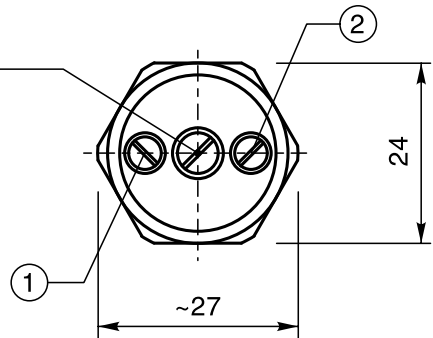


marking:  
K 4 TA (normally open)  
K 4 TC (normally closed)

G 1/4"

10

adjustment screw:  
green (normally open)  
yellow (normally closed)



24

~27

#### TECHNICAL CHARACTERISTICS

MAXIMUM CONTACT RATING	alternate current 48 V - max 2A
	direct current 48 V - max 1A
PROTECTION GRADE	IP 54
COMMUTATION FREQUENCY	200 cycles/min
WORKING TEMPERATURE	- 20 °C ÷ +80 °C
ENDURANCE	10 <sup>6</sup> cycles at 70 bar 20° C
ADJUSTMENT RANGE	5 ÷ 50 bar
BREAKING PRESSURE	200 bar
SWITCHING ACCURACY	± 5 % of set pressure 20° C
HYSTERESIS (MEDIUM VALUE)	6% of set value