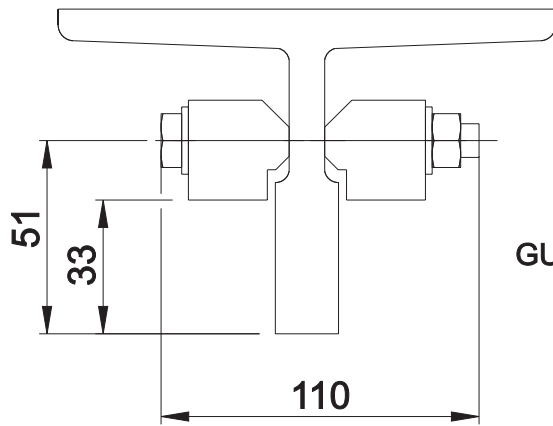


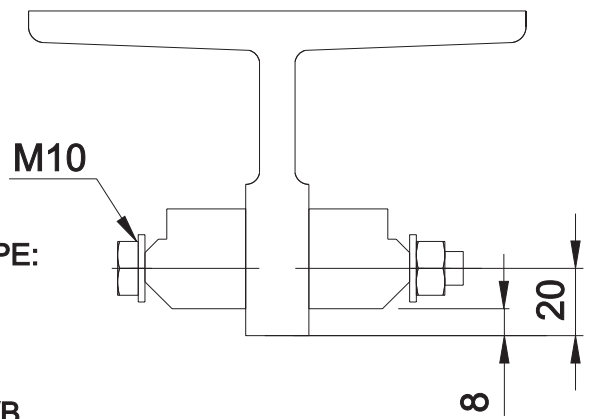
Stop lug position at top and intermediate floor
Pawl Device NS 40/50



GUIDE RAIL TYPE:

- ISO T90A
- ISO T90B
- ISO T125B
- ISO T127 - 1/B

Stop lug position at bottom floor
Pawl Device NS 40/50



Pcs 3 Screw MC6S
12.9 - M10X100 TCEI

