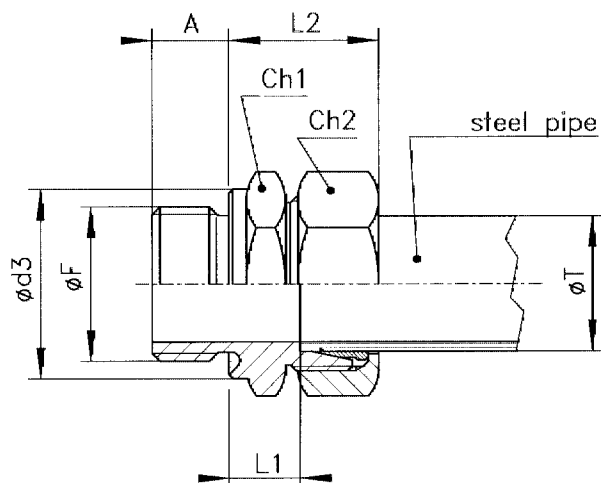
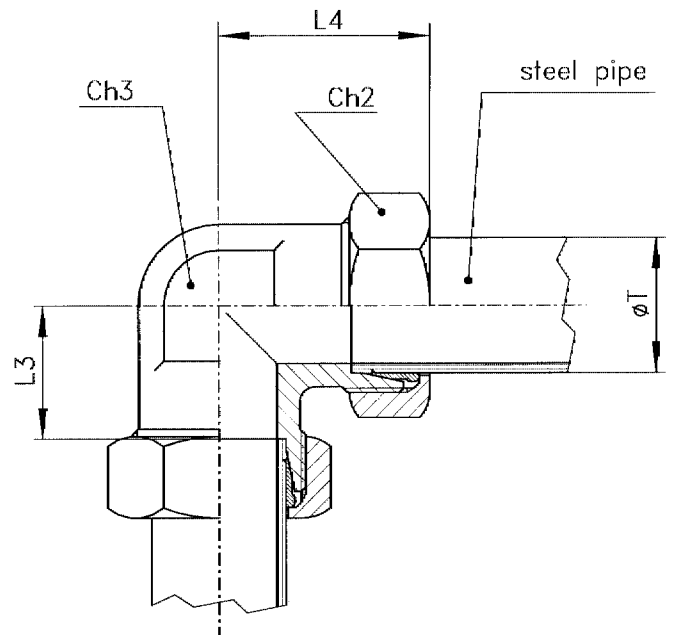


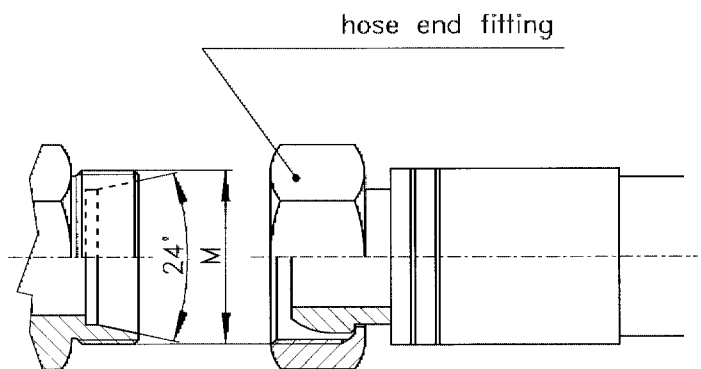
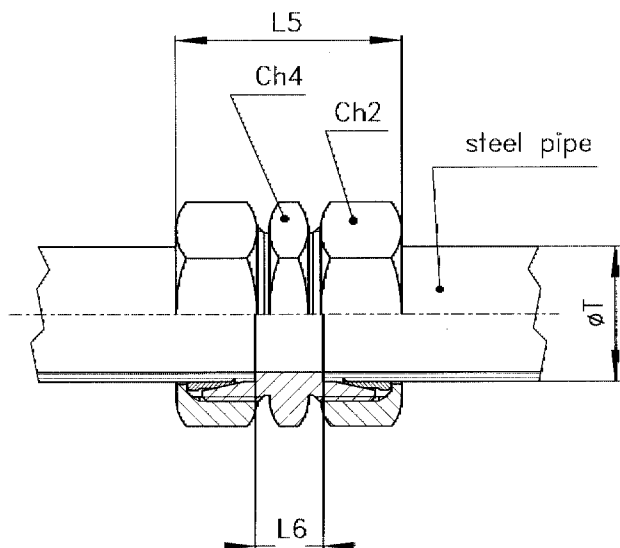
STRAIGHT END FITTING



ELBOW UNION FITTING



STRAIGHT UNION FITTING



HOSE COUPLING

FITTING SIZE	dimension [mm]													M	ϕF
	A	$\phi d3$	ϕT	L1	L2	L3	L4	L5	L6	Ch1	Ch2	Ch3	Ch4		
35 L	20	49	35	17,5	39	34,5	56	63	20	50	50	41	46	M 45x2	G 1" 1/4
42 L	22	55	42	19	42	40	63	66	21	55	60	50	55	M 52x2	G 1" 1/2

- pipe fitting block are forged steel with plated finish (anti-corrosion)
- maximum working pressure 160 bar
- normalized in accordance with DIN 2353

For further information please consult **GMV**