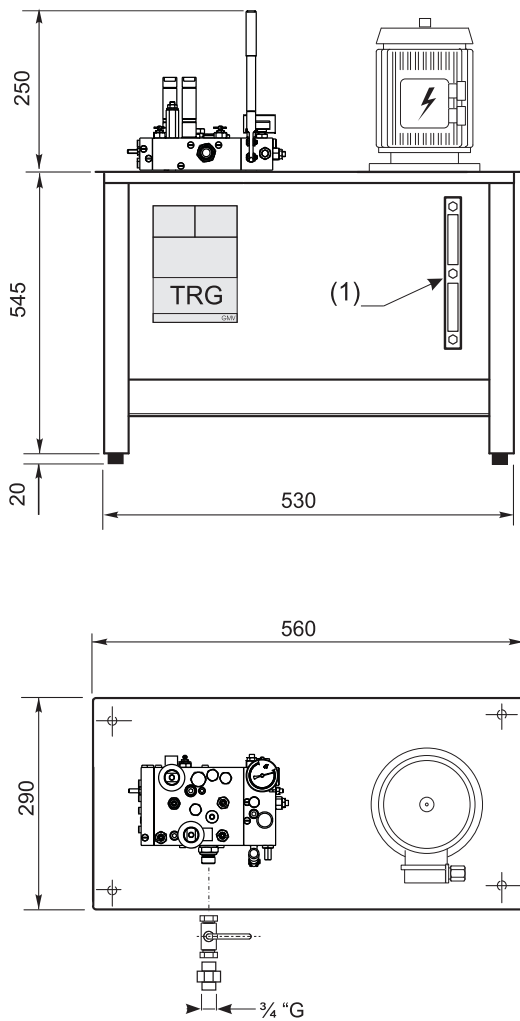
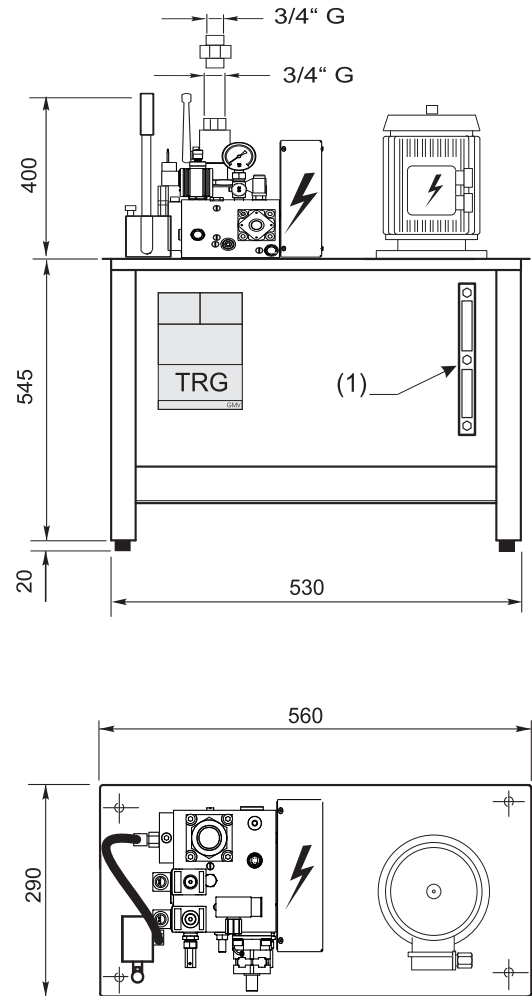


3010 3/4"



NGV 3/4"



Technical Specification	50 Hz		60 Hz	
	2 poles - 1 phase			
Motor power [kW]	1,5 ÷ 2,2		1,8 ÷ 2,6	
Rated pump flow [l/min]	15 - 20 - 23 - 30		15 - 18 - 24 - 28	
Maximum static pressure [bar/MPa]	45 / 4,5			
Minimum static pressure with car empty [bar/MPa]	12 / 1,2			
Empty weight [kg]	max 55			
Fluid for total filling [l]	65			
Fluid circulating (useful) [l]	max 50			
Minimum Fluid (to cover motor and pump) [l]	15			
Speed 0,15 [m/s] only with	Jacks Diam.[mm]		70	80
	Pumps Flow [l/min]		20	24

For information not included in this data sheet please consult GMV

N.B. : Metallic tank. RAL 7032 color

(1) Components on request

POWER UNIT "HL50 DRY"
3010 3/4" - NGV 3/4" VALVES
 Dry Motors, 1 phase-2 poles, 50÷60Hz

table : 04.085.ENG rev. : B
 date : 19.03.2018 pg. : 1/1

GMV