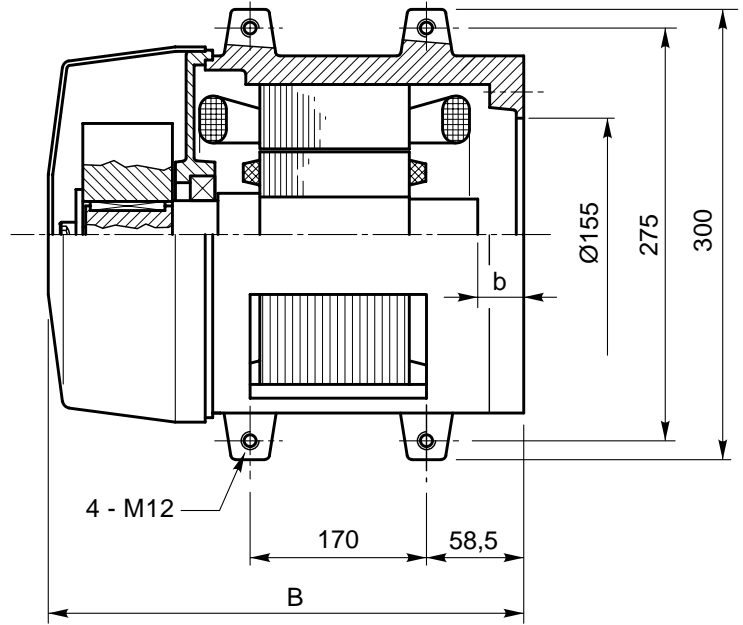
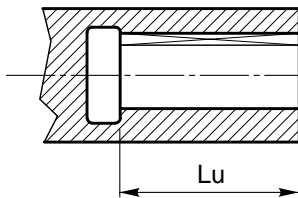
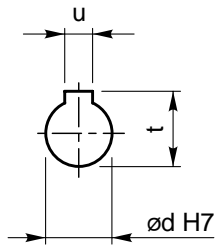


**SHAFT DETAIL**



| MOTOR TYPE  | POWER |      | ød H7 | B   | b  | t    | u j9 | Lu | weight [kg] |
|-------------|-------|------|-------|-----|----|------|------|----|-------------|
|             | HP    | kW   |       |     |    |      |      |    |             |
| MI-132 / 25 | 25    | 18,4 | 24    | 385 | 34 | 27,3 | 8    | 40 | 50          |
|             |       |      | 32    |     |    | 35,3 | 10   | 55 |             |
| MI-132 / 30 | 30    | 22   | 24    | 385 | 34 | 27,3 | 8    | 40 | 55          |
|             |       |      | 32    |     |    | 35,3 | 10   | 55 |             |
|             |       |      | 38    |     |    | 41,3 | 10   | 65 |             |
| MI-132 / 40 | 40    | 29,4 | 32    | 410 | 35 | 35,3 | 10   | 55 | 60          |
|             |       |      | 38    |     |    | 41,3 | 10   | 65 |             |

**For information not included in this data sheet please consult GMV**